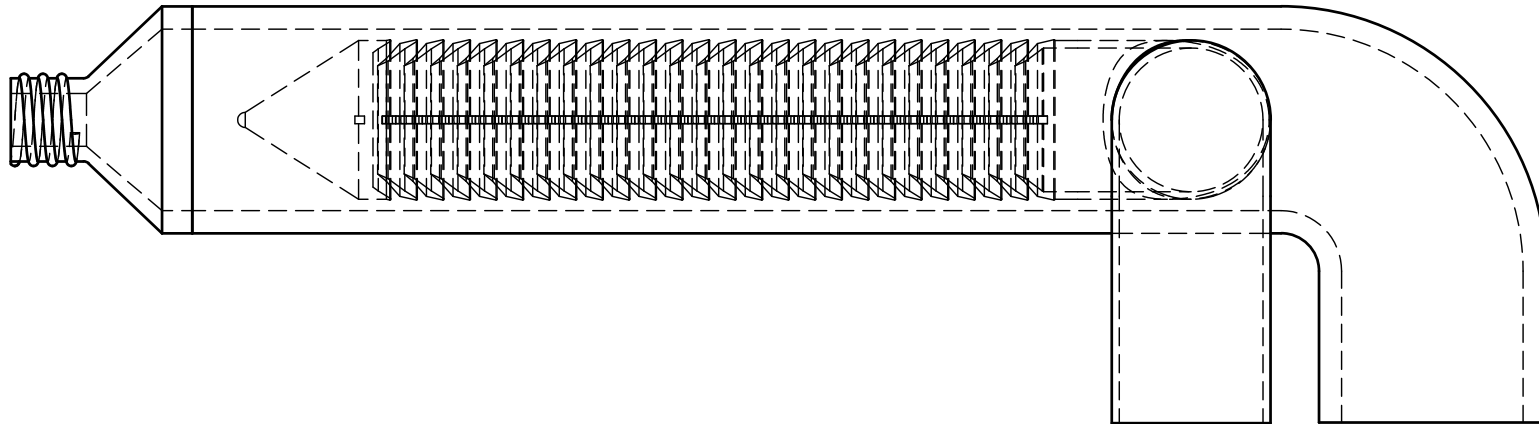
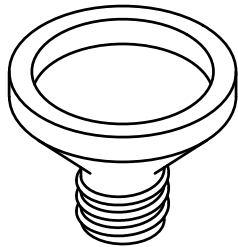
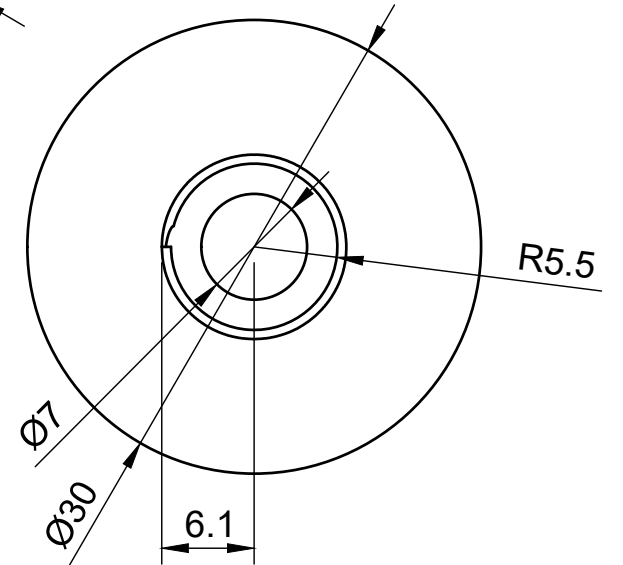
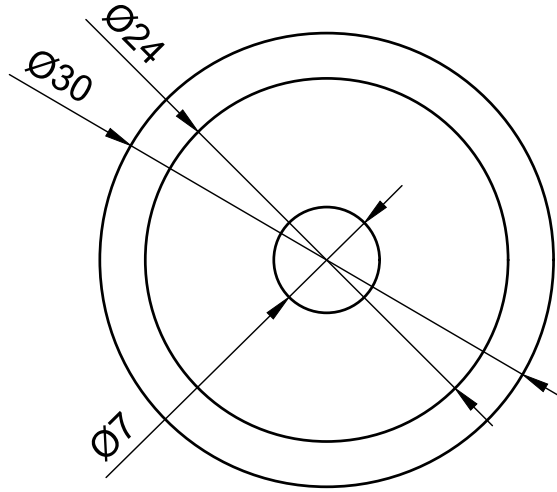
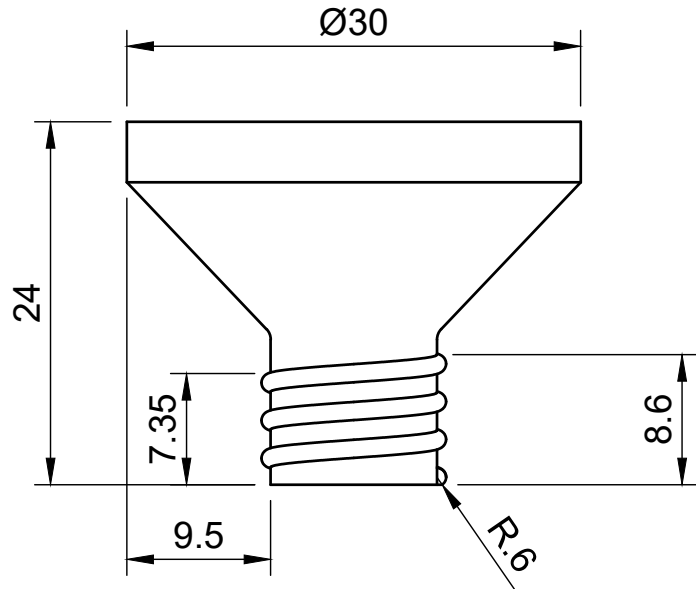


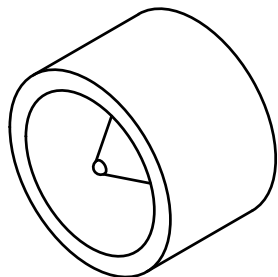
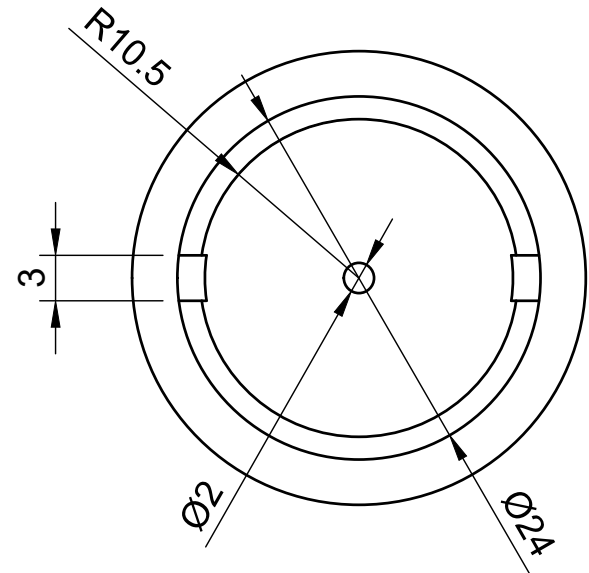
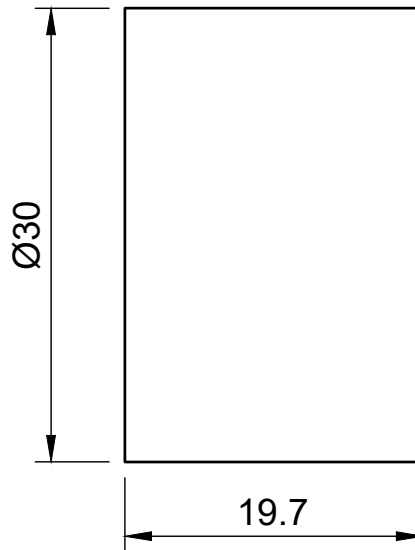
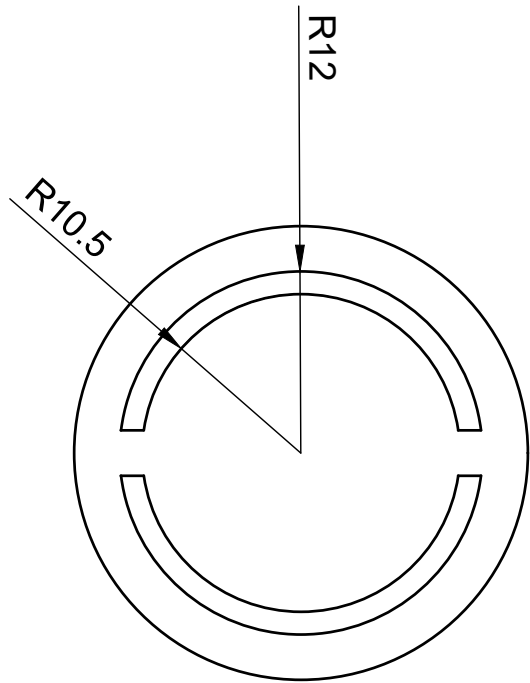
Dept.	Technical reference	Created by Mario Orjuela 2/05/2024	Approved by	
		Document type	Document status	
		Title Prototipo Final	DWG No.	
		Rev.	Date of issue	Sheet 1/2



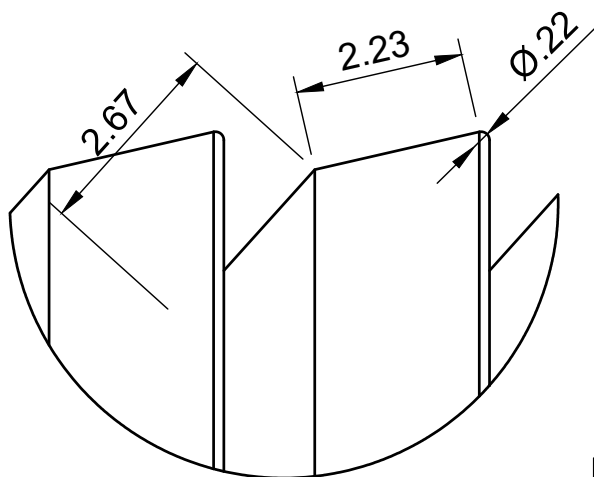
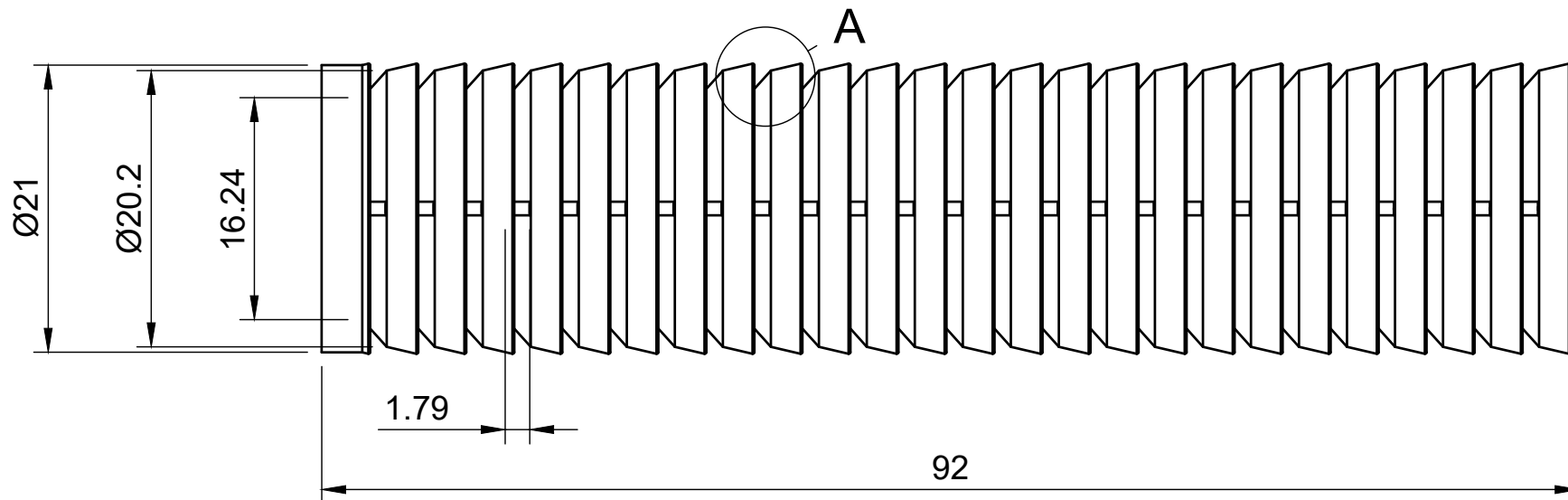
Dept.	Technical reference	Created by Mario Orjuela 2/05/2024	Approved by	
		Document type	Document status	
		Title Inter Proto Final	DWG No.	
		Rev.	Date of issue	Sheet 2/2



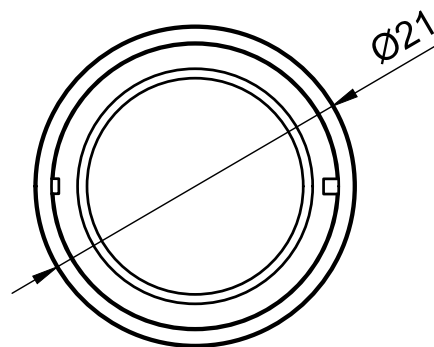
Dept.	Technical reference	Created by Mario Orjuela 2/05/2024	Approved by	
		Document type	Document status	
		Title Boquilla filtro	DWG No.	
		Rev.	Date of issue	Sheet 1/1



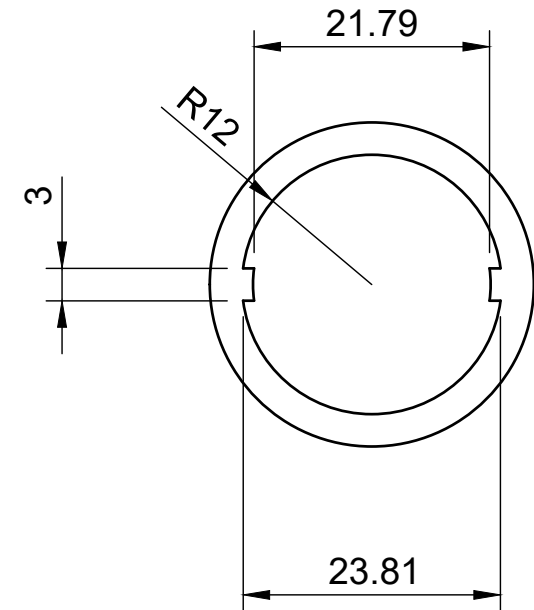
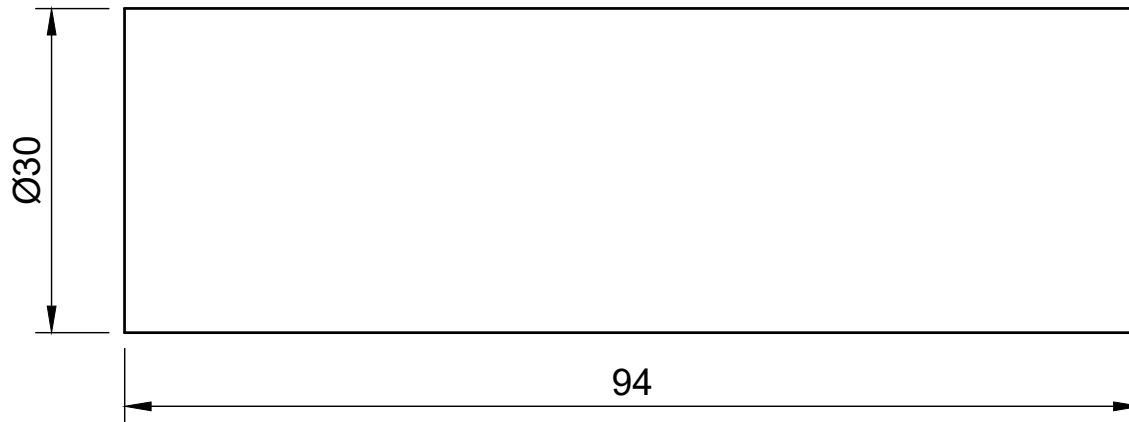
Dept.	Technical reference	Created by Mario Orjuela 2/05/2024	Approved by	
		Document type	Document status	
		Title Tubo en entrada	DWG No.	
		Rev.	Date of issue	Sheet 1/1



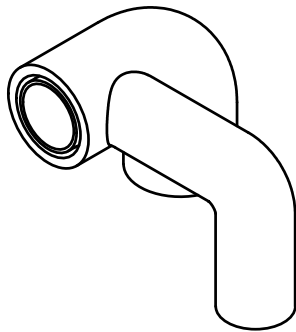
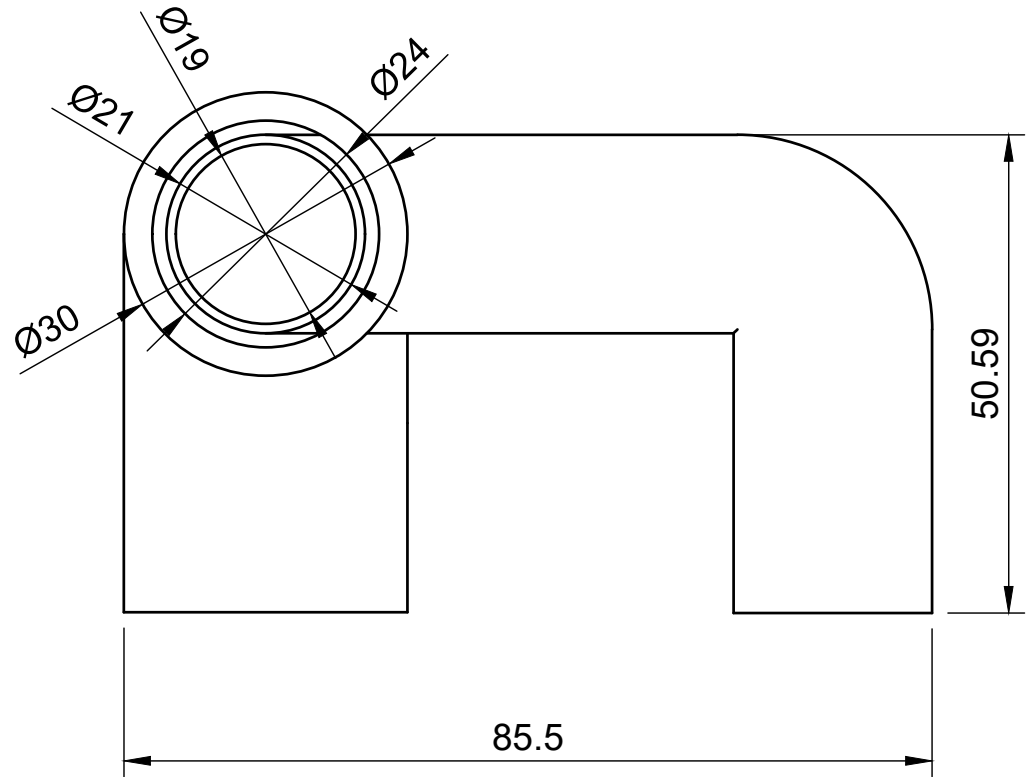
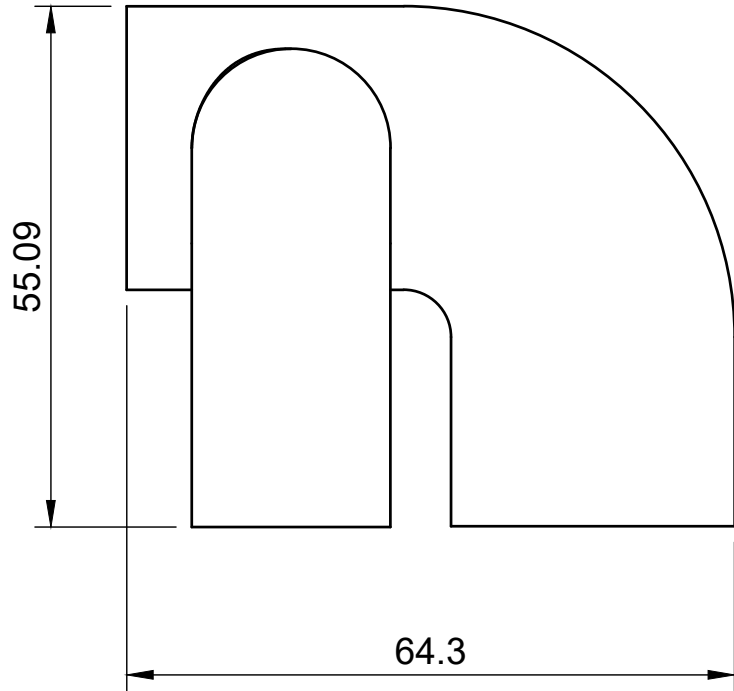
A (1:1)



Dept.	Technical reference	Created by Mario Orjuela 2/05/2024	Approved by	
		Document type	Document status	
		Title Prototipo_OG_Componente6	DWG No.	
		Rev.	Date of issue	Sheet 1/1



Dept.	Technical reference	Created by Mario Orjuela 2/05/2024	Approved by	
		Document type	Document status	
		Title Tubo principal	DWG No.	
		Rev.	Date of issue	Sheet 1/1



Dept.	Technical reference	Created by Mario Orjuela 2/05/2024	Approved by	
		Document type	Document status	
		Title Prototipo_OG_Componente8	DWG No.	
		Rev.	Date of issue	Sheet 1/1